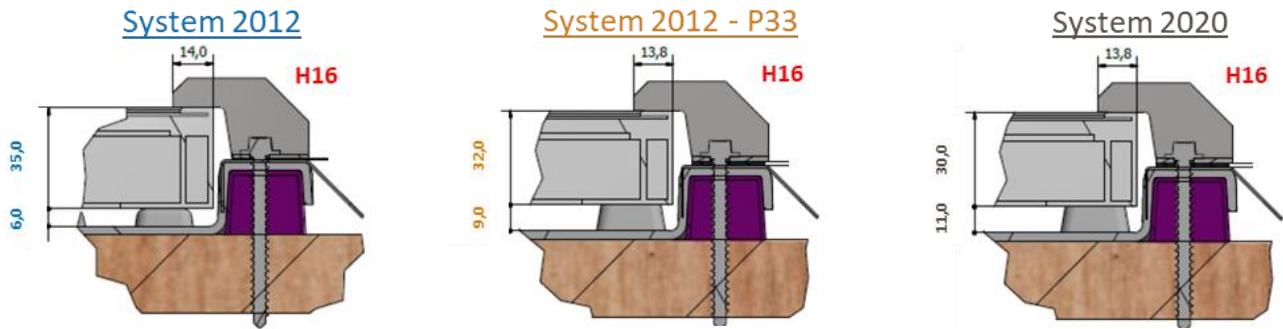


GSE In-Roof – Evolution of the system



	Réf.	PV module dimensions						Clamps																						
		Height			Width			Module thickness (mm)																						
		Min. tolerated	Min. suggested	Max.	Min. tolerated	Min. suggested	Max.	30	31	32	33	34	35	36	37	38	39	40	41	42	43	44	45	46	47	48	49	50		
PORTRAIT	Version 2012	1580_808	1500	1540	1620	801	803	808												H16	H19	H21	H23	H26	H27				H31	
		1575_1046	1495	1535	1615	1039	1041	1046												H16	H19	H21	H23	H26	H27				H31	
		1575_1053	1495	1535	1615	1046	1048	1053												H16	H19	H21	H23	H26	H27				H31	
		1575_1082	1495	1535	1615	1075	1077	1082												H16	H19	H21	H23	H26	H27				H31	
		1640_992	1560	1600	1680	985	987	992												H16	H19	H21	H23	H26	H27				H31	
		1640_1001	1560	1600	1680	994	996	1001												H16	H19	H21	H23	H26	H27				H31	
		1640_1001_33	1560	1600	1680	994	996	1001												H16	H19	H21	H23	H26	H27				H31	
		1686-1700_1016	1605	1645	1725	1009	1011	1016												H16	H19	H21	H23	H26	H27				H31	
Version 2020	1710_1000	1630	1670	1750	993	995	1000	H16	H19	H21	H23	H26	H27															H31		
	1710_1005	1630	1670	1750	998	1000	1005	H16	H19	H21	H23	H26	H27															H31		
	1710_1020	1630	1670	1750	1013	1015	1020	H16	H19	H21	H23	H26	H27															H31		
	1710_1025	1630	1670	1750	1018	1020	1025	H16	H19	H21	H23	H26	H27															H31		
	1710_1030	1630	1670	1750	1023	1025	1030	H16	H19	H21	H23	H26	H27															H31		
	1710_1050	1630	1670	1750	1043	1045	1050	H16	H19	H21	H23	H26	H27															H31		
	1710_1060	1630	1670	1750	1053	1055	1060	H16	H19	H21	H23	H26	H27															H31		
LANDSCAPE	Version 2012	1559_1082	1002	1042	1122	1552	1554	1559												H16	H19	H21	H23	H26	H27				H31	
		1575_1082	1002	1042	1122	1568	1570	1575												H16	H19	H21	H23	H26	H27				H31	
		1580_808	728	768	848	1573	1575	1580												H16	H19	H21	H23	H26	H27				H31	
		1640_992	912	952	1032	1633	1635	1640												H16	H19	H21	H23	H26	H27				H31	
		1650_992	912	952	1032	1643	1645	1650												H16	H19	H21	H23	H26	H27				H31	
		1660_992	912	952	1032	1653	1655	1660												H16	H19	H21	H23	H26	H27				H31	
		1670_992	912	952	1032	1663	1665	1670												H16	H19	H21	H23	H26	H27				H31	
		1675_992_33	912	952	1032	1668	1670	1675												H16	H19	H21	H23	H26	H27				H31	
		1680_992	912	952	1032	1673	1675	1680												H16	H19	H21	H23	H26	H27				H31	
		1686_1016	912	952	1032	1679	1681	1686												H16	H19	H21	H23	H26	H27				H31	
		1700_1016	912	952	1032	1693	1695	1700												H16	H19	H21	H23	H26	H27				H31	
Version 2020	1665_1020	940	980	1060	1658	1660	1665	H16	H19	H21	H23	H26	H27															H31		
	1675_1020	940	980	1060	1668	1670	1675	H16	H19	H21	H23	H26	H27															H31		
	1680_1020	940	980	1060	1673	1675	1680	H16	H19	H21	H23	H26	H27															H31		
	1685_1020	940	980	1060	1678	1680	1685	H16	H19	H21	H23	H26	H27															H31		
	1690_1020	940	980	1060	1683	1685	1690	H16	H19	H21	H23	H26	H27															H31		
	1700_1020	940	980	1060	1693	1695	1700	H16	H19	H21	H23	H26	H27															H31		
	1740_1020	940	980	1060	1733	1735	1740	H16	H19	H21	H23	H26	H27															H31		